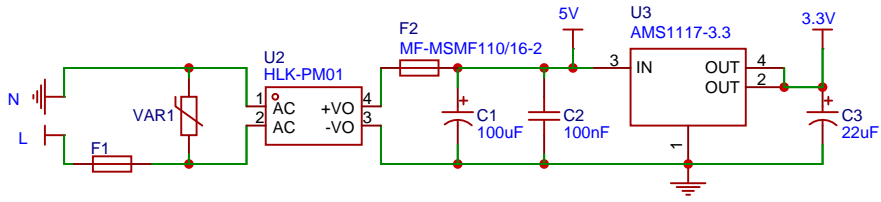
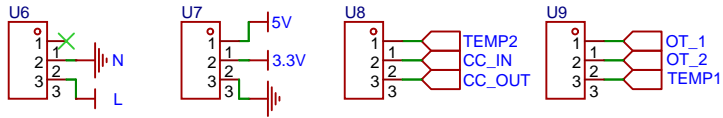


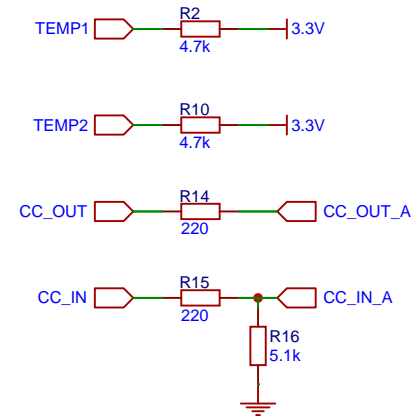
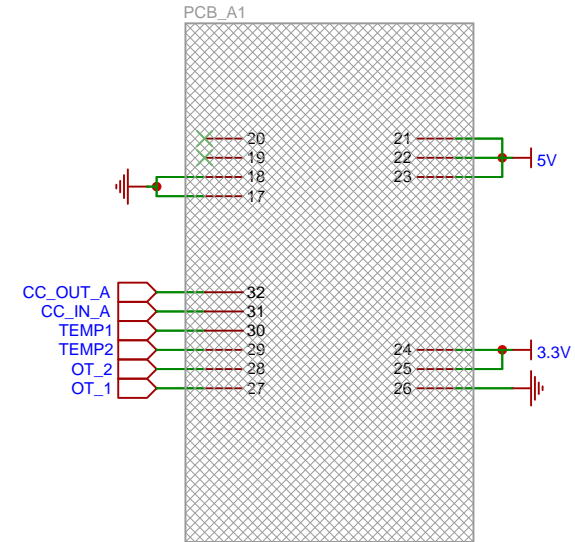
## Power supply



## Connectors

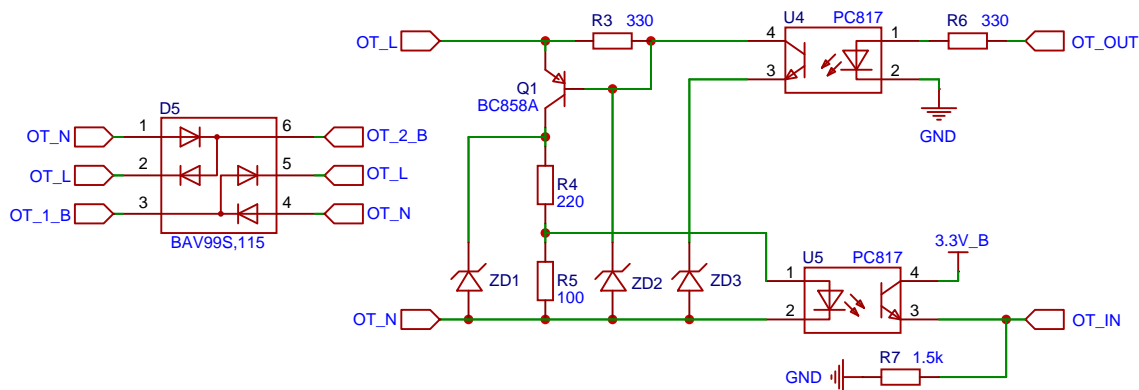


## Board A

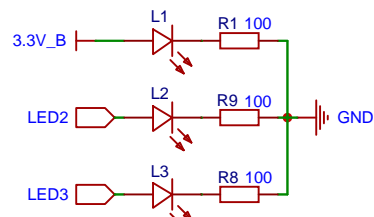


Schematic	otgateway			Update Date	2024-12-17
				Create Date	2024-09-17
Page	Sheet_A			Part Number	
Drawn	Laxilef	OpenTherm Gateway			
Reviewed					
		VER	SIZE	PAGE	1 OF 2
		V1.5.3	A5		

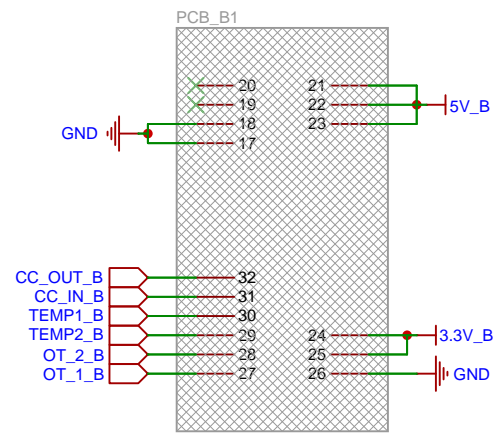
### OpenTherm adapter



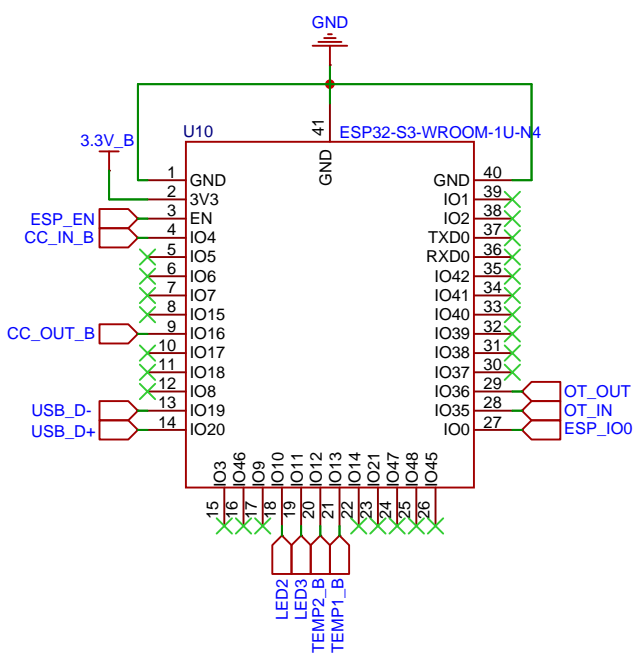
### LED's



### Board B

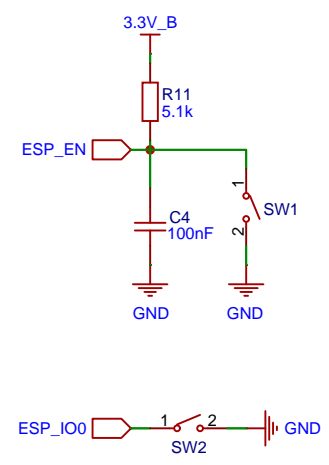


### ESP32 S3 WROOM



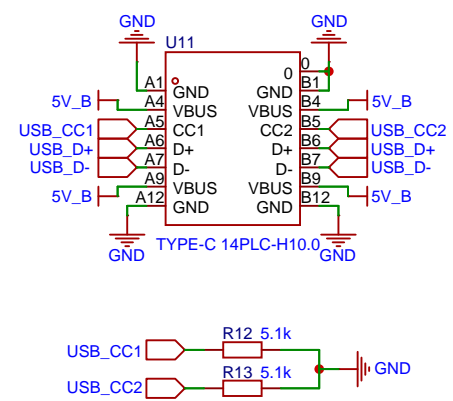
### Buttons

Only for ESP32 S3 WROOM



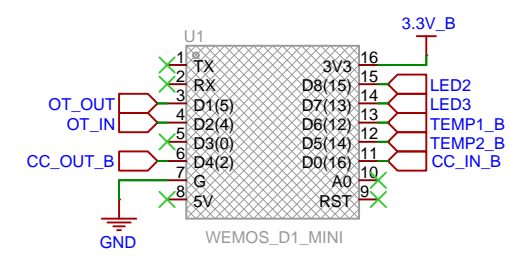
### USB

Only for ESP32 S3 WROOM



### Wemos D1/S2/S3/C3 mini

For Wemos no need mount:  
C4, C5, C6, R11, R12, R13, U11, SW1, SW2



Schematic	otgateway			Update Date	2024-12-17
				Create Date	2024-09-16
Page	Sheet_B			Part Number	
Drawn	Laxilef	OpenTherm Gateway			
Reviewed					
		VER	SIZE	PAGE	2 OF 2
		V1.5.3	A4		