


Reference Schematic for LAN9252-SPI/SQI+GPIO16 Mode

Configurations

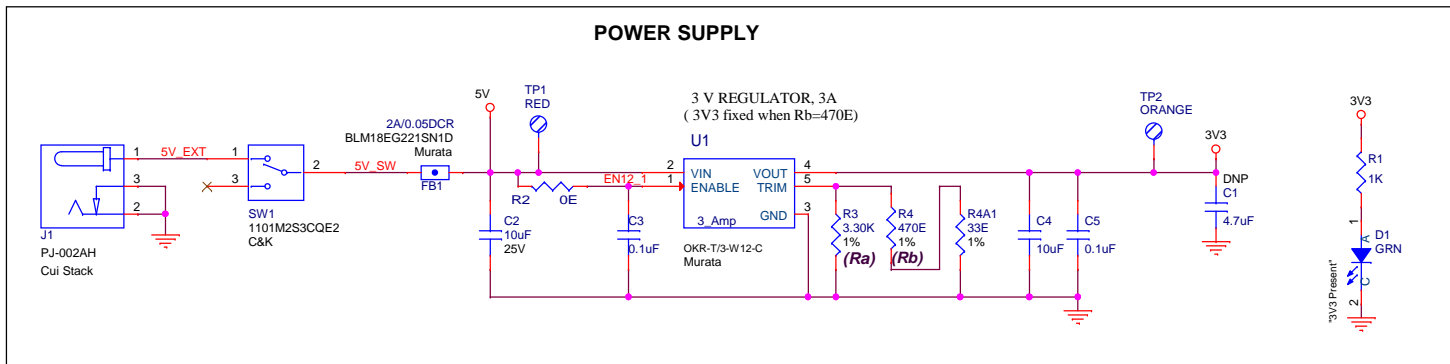

SPI/SQI+GPIO16 Mode
EEPROM - 24FC512 (High)
2Port mode
Port0 & Port1 = Copper

Page No.	Schematic Page
1	Title
2	Power Supply
3	LAN9252(Part1)
4	LAN9252(Part2), Strap & EEPROM
5	Copper Mode Interface



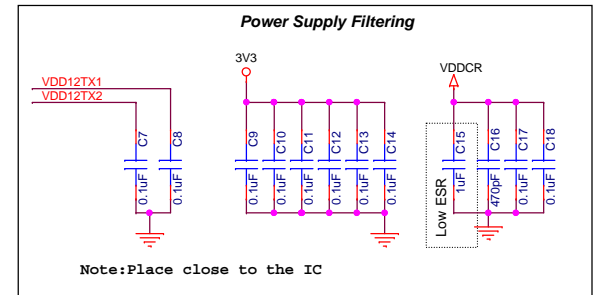
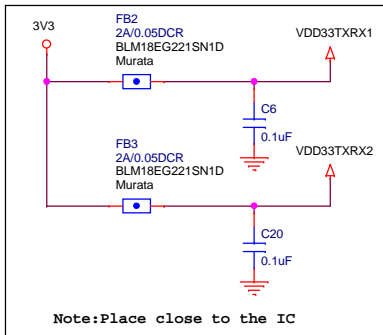
MICROCHIP Chennai India

Part Number:	LAN9252-SPI/SQI+GPIO16 Mode	Page:	TITLE
Size:	B	Project Name:	LAN9252
Date:	Friday, May 22, 2015	Board Name:	
			Rev: A
			Sheet 1 of 5

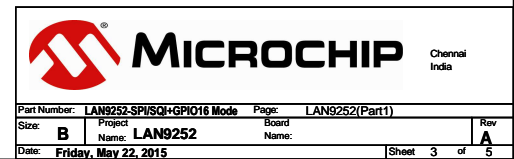
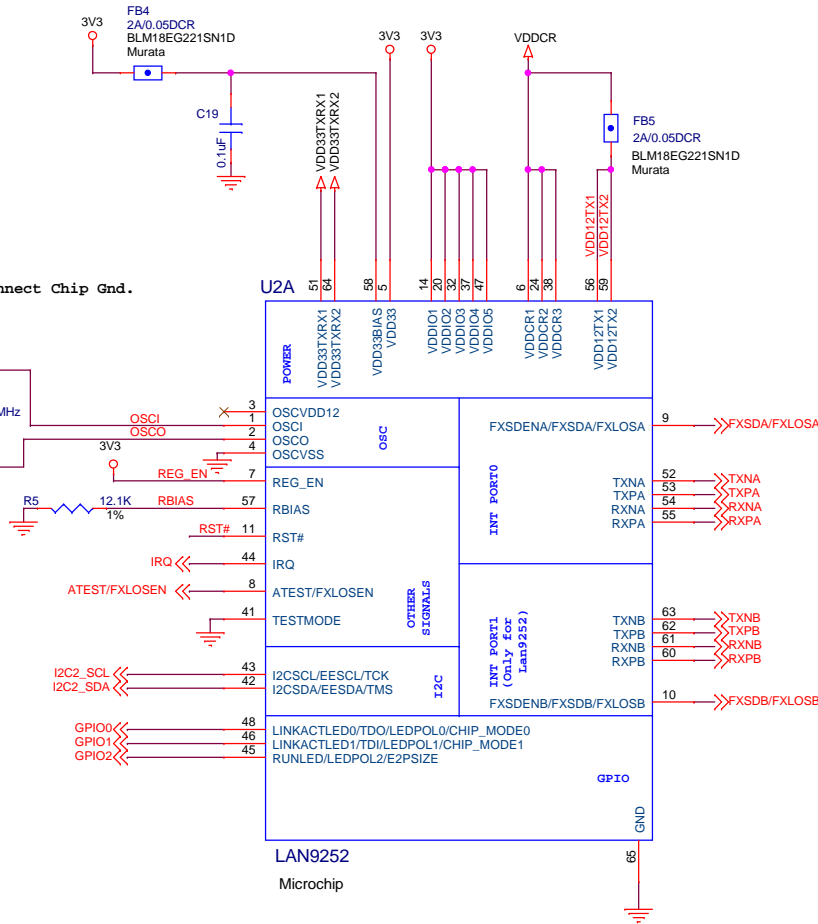
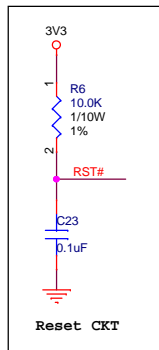
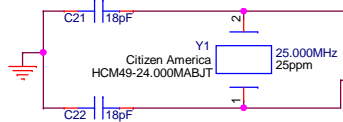



MICROCHIP Chennai India

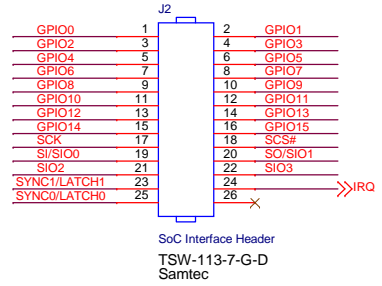
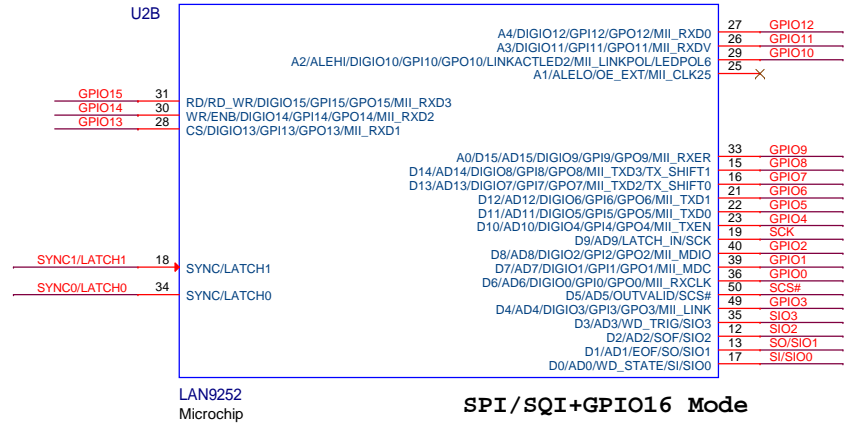
Part Number:	LAN9252-SPI/SQ+GPIO16 Mode	Page:	Power Supply
Size:	B	Project Name:	LAN9252
Date:	Friday, May 22, 2015	Board Name:	



Note: PIN 4_OSCVSS need to connect Chip Gnd.



Part Number:	LAN9252-SPI/SQ+GPIO16 Mode	Page:	LAN9252(Part1)
Size:	B	Project Name:	LAN9252
Date:	Friday, May 22, 2015	Board Name:	
		Rev:	A
		Sheet:	3 of 5



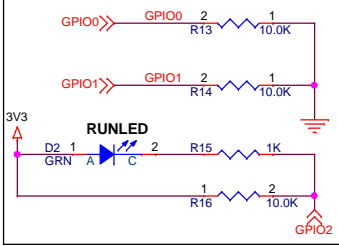
Signals	SPI	Dual SPI	Quad SPI	SQI
SCK	SCK	SCK	SCK	SCK
SCS#	SCS#	SCS#	SCS#	SCS#
SIO0	SI	SIO0	SIO0	SIO0
SIO1	SO	SIO1	SIO1	SIO1
SIO2	NA	NA	SIO2	SIO2
SIO3	NA	NA	SIO3	SIO3

Strap Details

Signals Functions
 GPIO0 = LINKACTLED0/TD0/LEDPOL0/CHIP_MODE0
 GPIO1 = LINKACTLED1/TD1/LEDPOL1/CHIP_MODE1
 GPIO2 = RUNLED/LEDPOL2/E2PSIZE

E2PSIZE (GPIO2) (RUNLED)	0	1
0	The LED is set as active high. Low EEPROM Size P/N = 24C04 1K bits (128 x 8) through 16K bits (2K x 8);	
1	The LED is set as active low. EEPROM Size P/N = 24FC512 32K bits (4K x 8) through 512K bits (64K x 8) or 4Mbits (512K x 8) (LAN9252 only) [Default]	

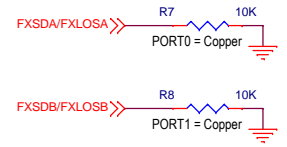
GPIO [0:2] & LED_POL Strap



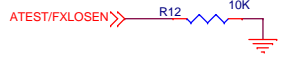
CHIP_MODE[1:0] Strap Details

CHIP_MODE[1:0] GPIO[1:0]	Port Description	MODE
00[Default]	Port 0 = PHY A, Port 1 = PHY B	2 PORT MODE
01	RESERVED	RESERVED
10	Port 0 = PHY A, Port 1 = PHY B, Port 2 = MII	3 PORT DOWNSTREAM MODE (Port2 = Downstream)
11	Port 0 = MII, Port 1 = PHY B, Port 2 = PHY A	3 PORT UPSTREAM MODE (Port0 = Upstream)

FX_Mode Strap_1 & 2

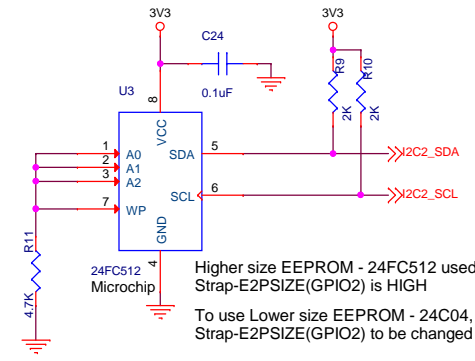


FX_Los Strap_1 & 2



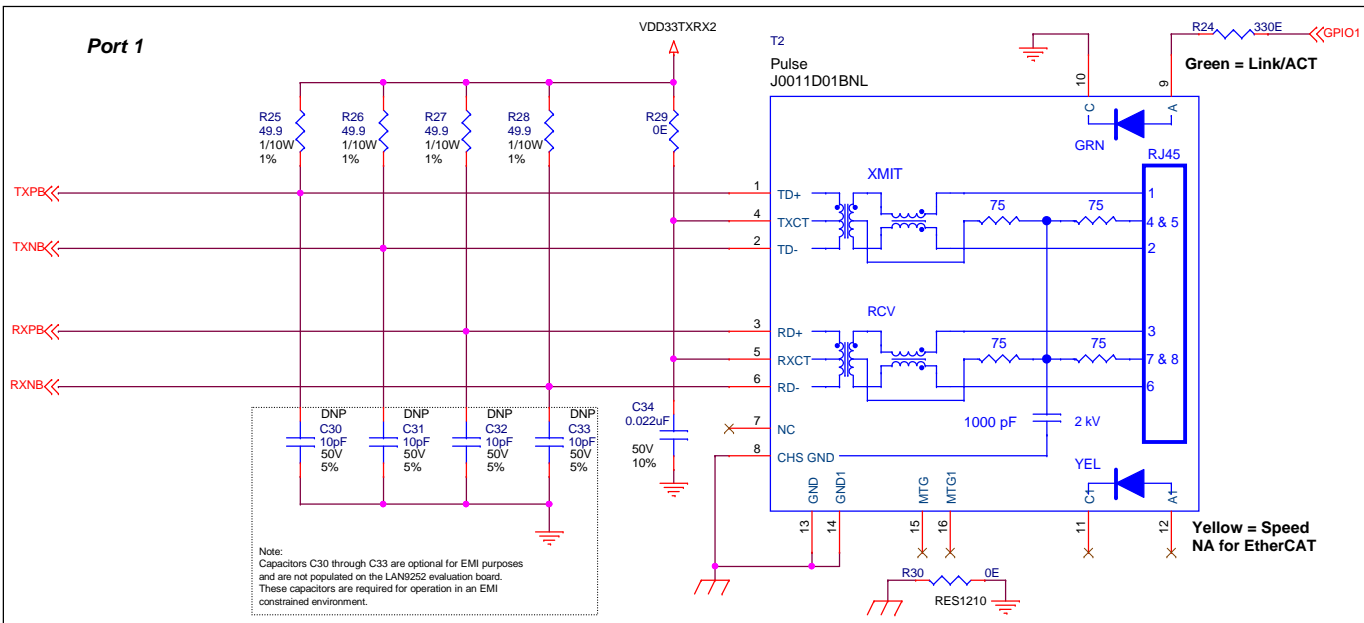
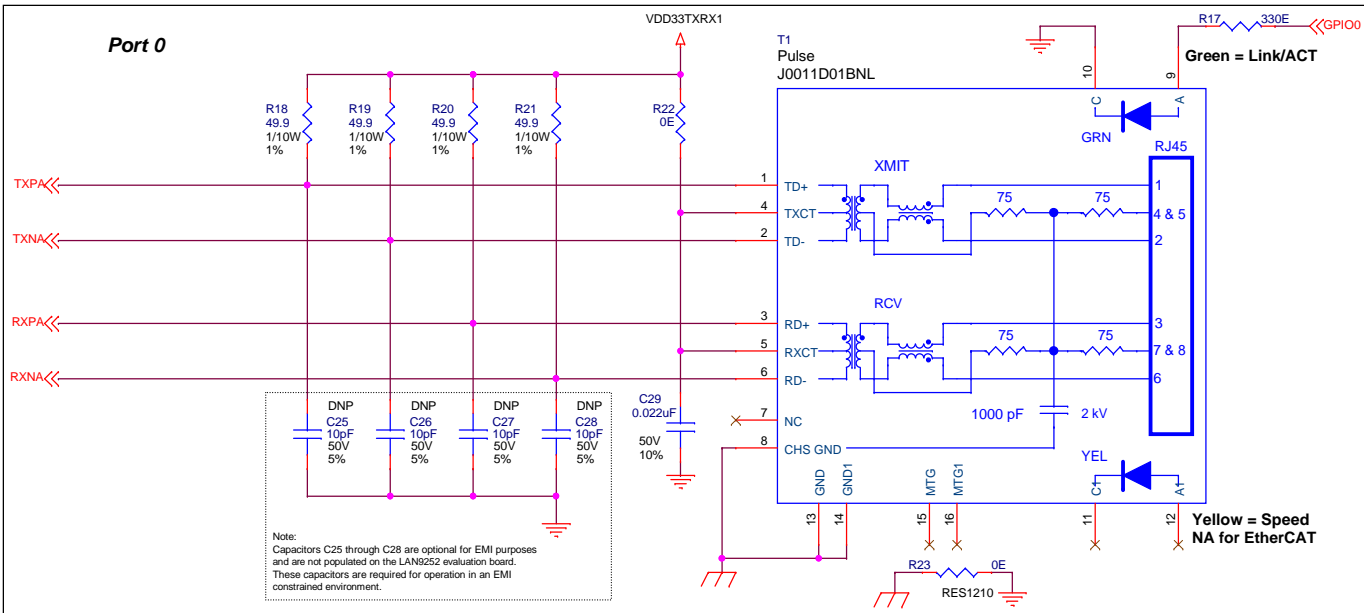
Signal	Ref.Voltage	Function
ATEST/ FXLOSEN	0	Level of 0V Selects FX-SD / copper twisted pair for ports 0 and 1 further determined by FXSDA and FXSDB.

I2C EEPROM



MICROCHIP Chennai India

Part Number: LAN9252-SPI/SQI+GPIO16 Mode Page: LAN9252(Part2), Strap & EEPROM
 Size: B Project Name: LAN9252 Board Name: Rev A
 Date: Friday, May 22, 2015 Sheet 4 of 5



MICROCHIP Chennai India

Part Number:	LAN9252-SPI/SQ+GPIO16 Mode	Page:	Copper Mode Interface
Size:	B	Project Name:	LAN9252
Date:	Friday, May 22, 2015	Board Name:	
		Sheet	5 of 5